

Support bracket - AB/NS - 1201141

Please be informed that the data shown in this PDF Document is generated from our Online Catalog. Please find the complete data in the user's documentation. Our General Terms of Use for Downloads are valid (<http://phoenixcontact.com/download>)



Support bracket, for insulated mounting of DIN rails in insulated systems, plastic, 21 mm high

Your advantages

- The support can be used for fully insulated DIN rail support bracket

Key Commercial Data

Packing unit	1 pc
Minimum order quantity	10 pc
GTIN	 4 017918 017248
GTIN	4017918017248
Weight per Piece (excluding packing)	17.430 g
Custom tariff number	85472000
Country of origin	Germany

Technical data

Dimensions

Length (b)	35 mm
Width (a)	38 mm
Height (c)	21 mm

General

Color	gray
Flammability rating according to UL 94	V2
Material	PA

Support bracket - AB/NS - 1201141

Technical data

General

Coating	uncoated
---------	----------

Standards and Regulations

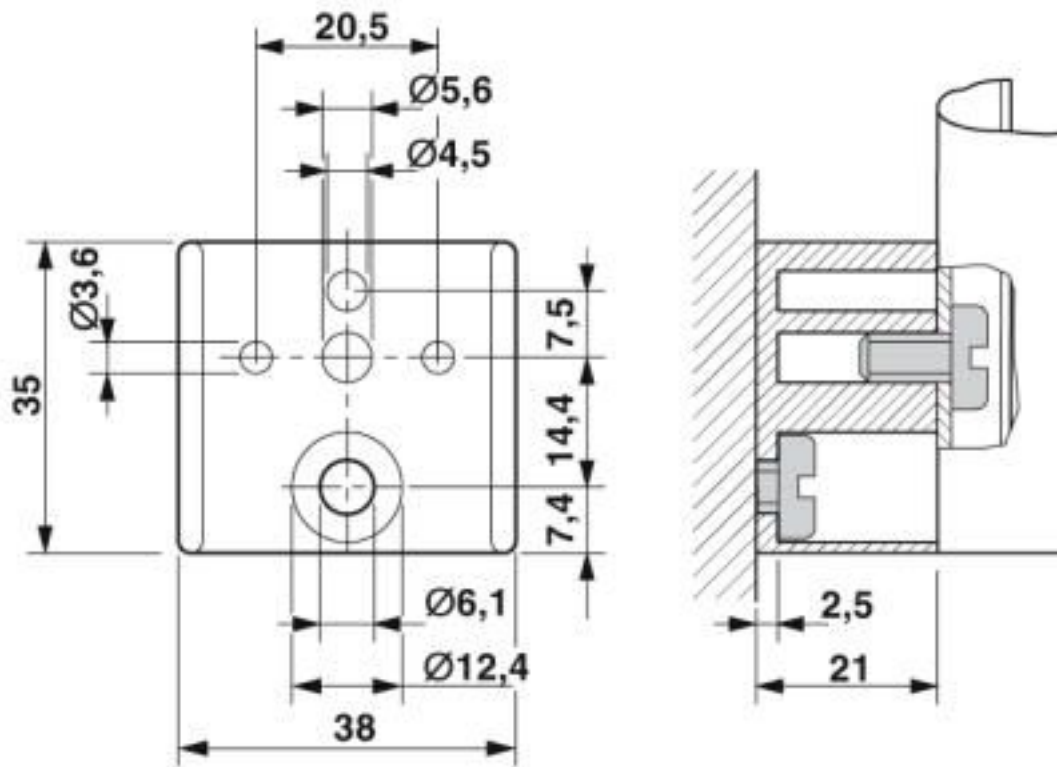
Flammability rating according to UL 94	V2
----------------------------------------	----

Environmental Product Compliance

China RoHS	Environmentally friendly use period: unlimited = EFUP-e
	No hazardous substances above threshold values

Drawings

Dimensional drawing



Classifications

eCl@ss

eCl@ss 10.0.1	27370419
eCl@ss 4.0	23150300
eCl@ss 4.1	23150300

Support bracket - AB/NS - 1201141

Classifications

eCl@ss

eCl@ss 5.0	27370400
eCl@ss 5.1	27370400
eCl@ss 6.0	27370400
eCl@ss 7.0	27370419
eCl@ss 8.0	27370419
eCl@ss 9.0	27370419

ETIM

ETIM 2.0	EC000761
ETIM 3.0	EC000761
ETIM 4.0	EC002270
ETIM 5.0	EC001024
ETIM 6.0	EC001024
ETIM 7.0	EC001024

UNSPSC

UNSPSC 6.01	30212109
UNSPSC 7.0901	39121708
UNSPSC 11	39121708
UNSPSC 12.01	39121708
UNSPSC 13.2	39121708
UNSPSC 18.0	39121708
UNSPSC 19.0	39121708
UNSPSC 20.0	39121708
UNSPSC 21.0	39121708